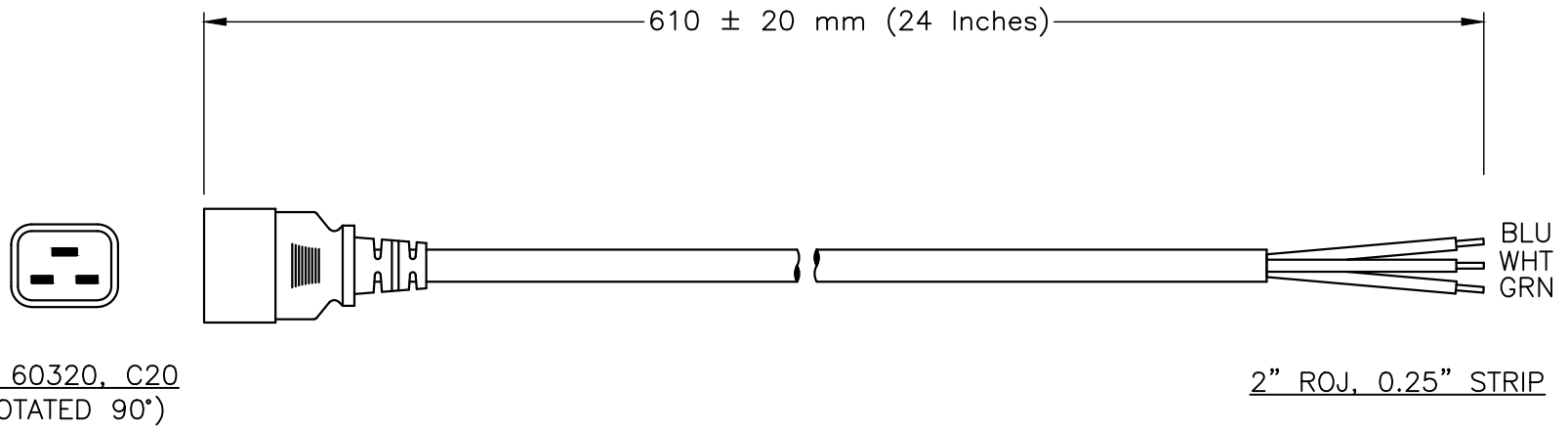


STANDARDS	IEC 60320 <input checked="" type="checkbox"/>
CERTIFICATIONS	ROHS <input checked="" type="checkbox"/>



SPECIFICATIONS:

- 1. OVERALL LENGTH: 610 ± 20 mm (24 INCHES)
- 2. CONDUCTORS: 12awg-3c
- 3. JACKET: SJT, 105°C, BLACK
- 4. PLUG: IEC 60320 C20, STRAIGHT, BLACK
- 5. CONNECTOR: OPEN 3 WIRE NA
- 6. RATED: 20A 250V
- 7. PUT-UP: BULK PACKED
- 8. WEIGHT (APPROX): 0.53 LBS / 0.24 Kg
- 9. MISCELLANEOUS:

WORLD CORD SETS, INC.

TEL (860)763-2100 www.WorldCordSets.com
 FAX (860)763-1183 sales@WorldCordSets.com

TITLE
IEC 60320 C20 to OPEN BLACK POWER CORD

THIS DOCUMENT AND THE INFORMATION CONTAINED HEREIN ARE THE PROPRIETARY CONFIDENTIAL PROPERTY OF WORLD CORD SETS. NO USE OR REPRODUCTION IN PART OR WHOLE MAY BE MADE WITHOUT WRITTEN PERMISSION FROM WORLD CORD SETS.

SCALE NONE	DATE 06-12-18	PART NO. 2000-J-024.NA	REV -
---------------	------------------	----------------------------------	----------